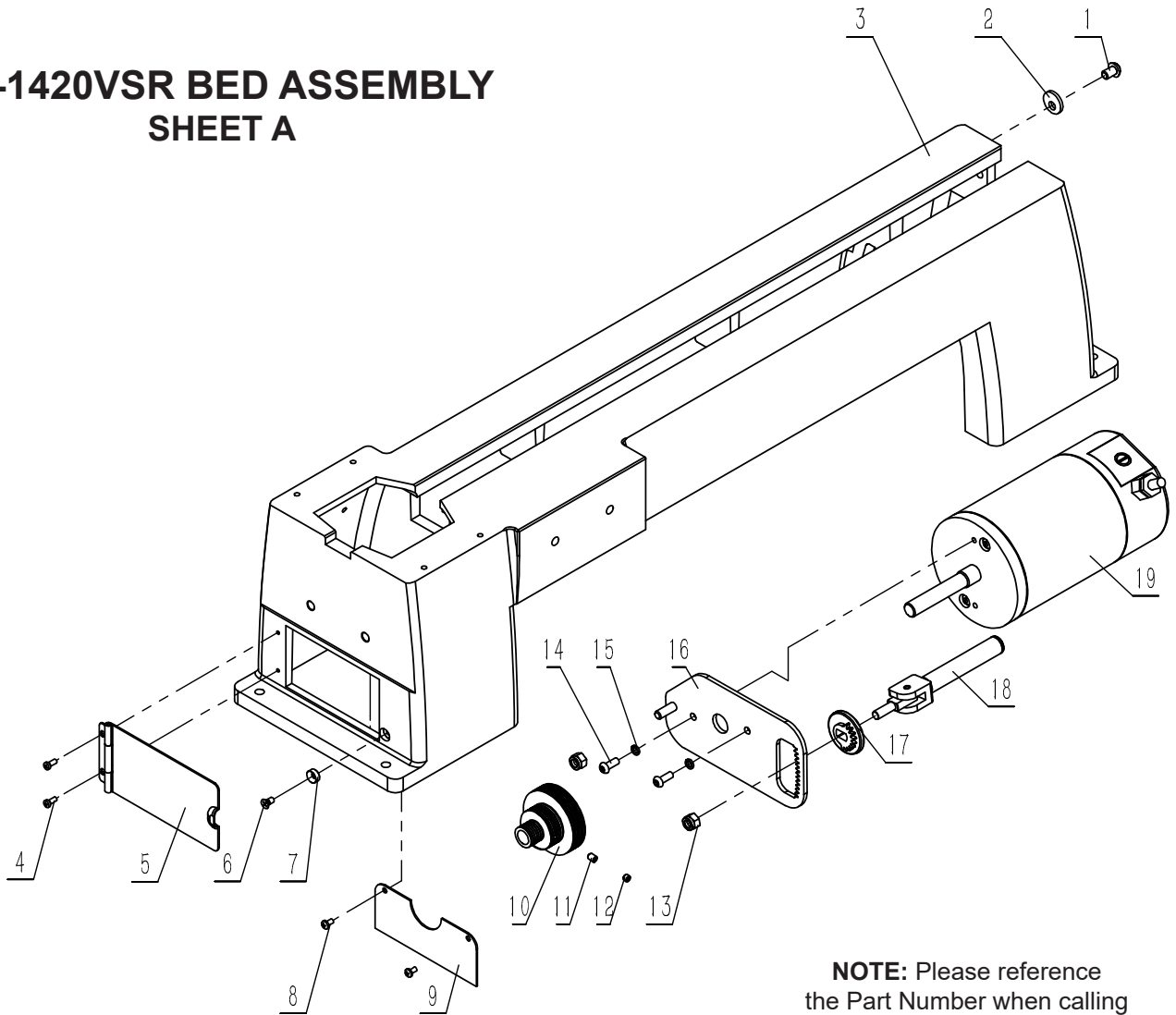


PARTS DIAGRAM & PARTS LIST

70-1420VSR BED ASSEMBLY SHEET A



NOTE: Please reference the Part Number when calling for Replacement Parts.

KEY NO.	DESCRIPTION	QTY	PART NO.
1	Hex flat round head screw M8x12	1	P70-1420VSR-1A
2	Eccentric washers	1	P70-1420VSR-2A
3	Bed	1	P70-1420VSR-3A
4	Pan head screw M4x10	2	P70-1420VSR-4A
5	Bed cover assembly	1	P70-1420VSR-5A
6	Countersunk head screw M5x10	1	P70-1420VSR-6A
7	Magnet	1	P70-1420VSR-7A
8	Countersunk head screw M4x8	2	P70-1420VSR-8A
9	Plate	1	P70-1420VSR-9A
10	Motor pulley	1	P70-1420VSR-10A
11	Hex cup point screw M6x8	1	P70-1420VSR-11A
12	Hex cup point screw M6x5	1	P70-1420VSR-12A
13	Hex lock nut M8	2	P70-1420VSR-13A
14	Hex flat round hd screw M6x16	2	P70-1420VSR-14A
15	Standard spring washer 6	2	P70-1420VSR-15A
16	Motor connecting plate	1	P70-1420VSR-16A
17	Spinning gear	1	P70-1420VSR-17A
18	Tensioning Handle Assembly	1	P70-1420VSR-18A
19	Motor 1-1/2HP, DC	1	P70-1420VSR-19A

For Parts under Warranty, the Serial Number of your machine is required.

TOOLS NOT SHOWN BUT LISTED ON PAGE 7

Hex Wrench - 2.5mm	P-HEX2.5
Hex Wrench - 3mm	P-HEX3
Hex Wrench - 4mm	P-HEX4
Hex Wrench - 5mm	P-HEX5
Wrench - 38mm	70-931
Wrench - 46mm	70-932
Knockout Bar - Long	P70-150VSR-32A
Knob End for long K/O bar	P70-150VSR-33A
Knockout Bar - Small	P70-150VSR-34A