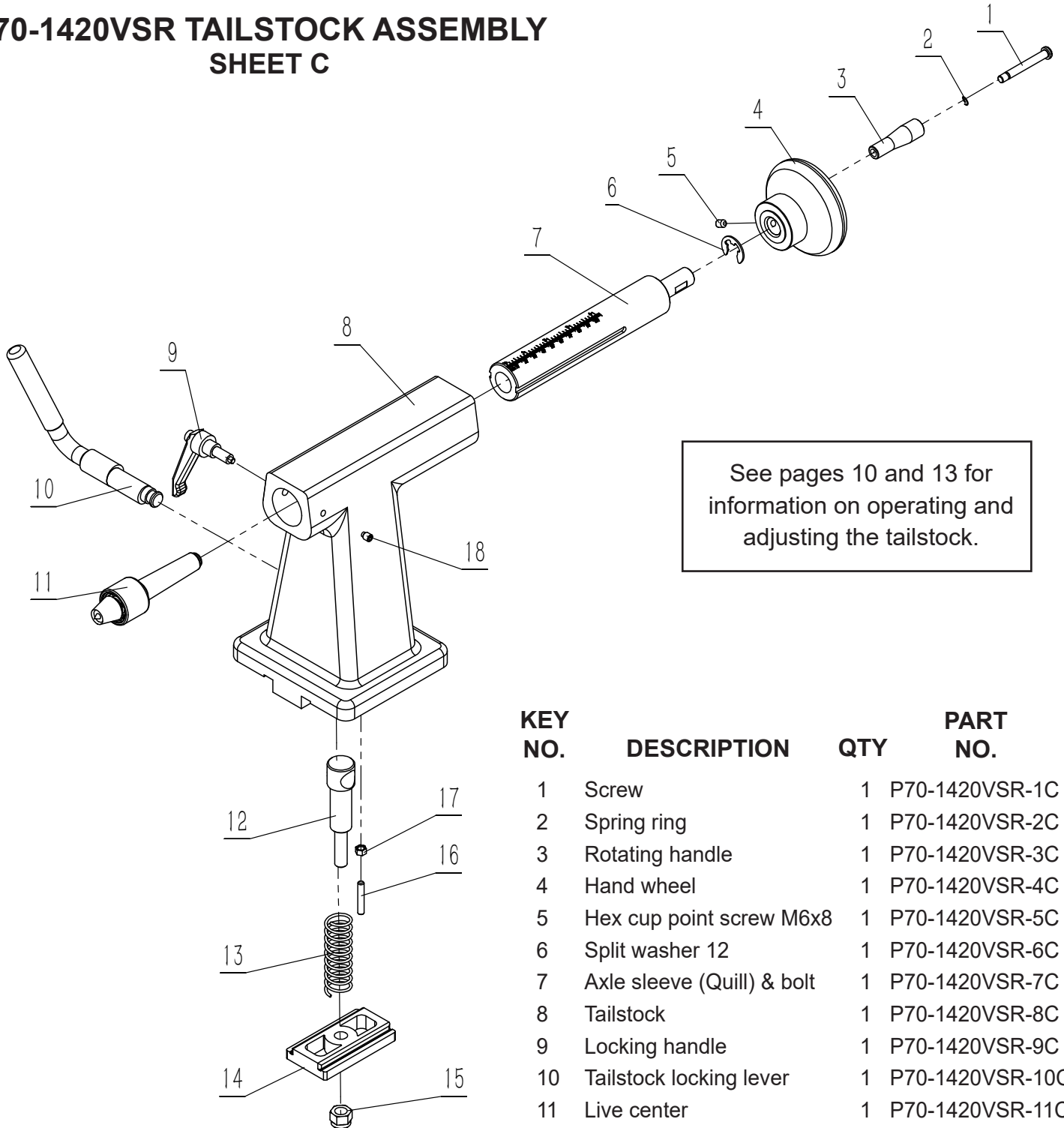


PARTS DIAGRAM & PARTS LIST

70-1420VSR TAILSTOCK ASSEMBLY SHEET C



See pages 10 and 13 for information on operating and adjusting the tailstock.

KEY NO.	DESCRIPTION	QTY	PART NO.
1	Screw	1	P70-1420VSR-1C
2	Spring ring	1	P70-1420VSR-2C
3	Rotating handle	1	P70-1420VSR-3C
4	Hand wheel	1	P70-1420VSR-4C
5	Hex cup point screw M6x8	1	P70-1420VSR-5C
6	Split washer 12	1	P70-1420VSR-6C
7	Axle sleeve (Quill) & bolt	1	P70-1420VSR-7C
8	Tailstock	1	P70-1420VSR-8C
9	Locking handle	1	P70-1420VSR-9C
10	Tailstock locking lever	1	P70-1420VSR-10C
11	Live center	1	P70-1420VSR-11C
12	Threaded shaft	1	P70-1420VSR-12C
13	Compression spring	1	P70-1420VSR-13C
14	Clamping plate	1	P70-1420VSR-14C
15	Hexagonal lock nut M10	1	P70-1420VSR-15C
16	Hex flat point screw M5x25	1	P70-1420VSR-16C
17	Hex nut M10	1	P70-1420VSR-17C
18	Hex point end screw M6x8	1	P70-1420VSR-18C

NOTE: Please reference the Part Number when calling for Replacement Parts.

For Parts under Warranty, the Serial Number of your machine is required.