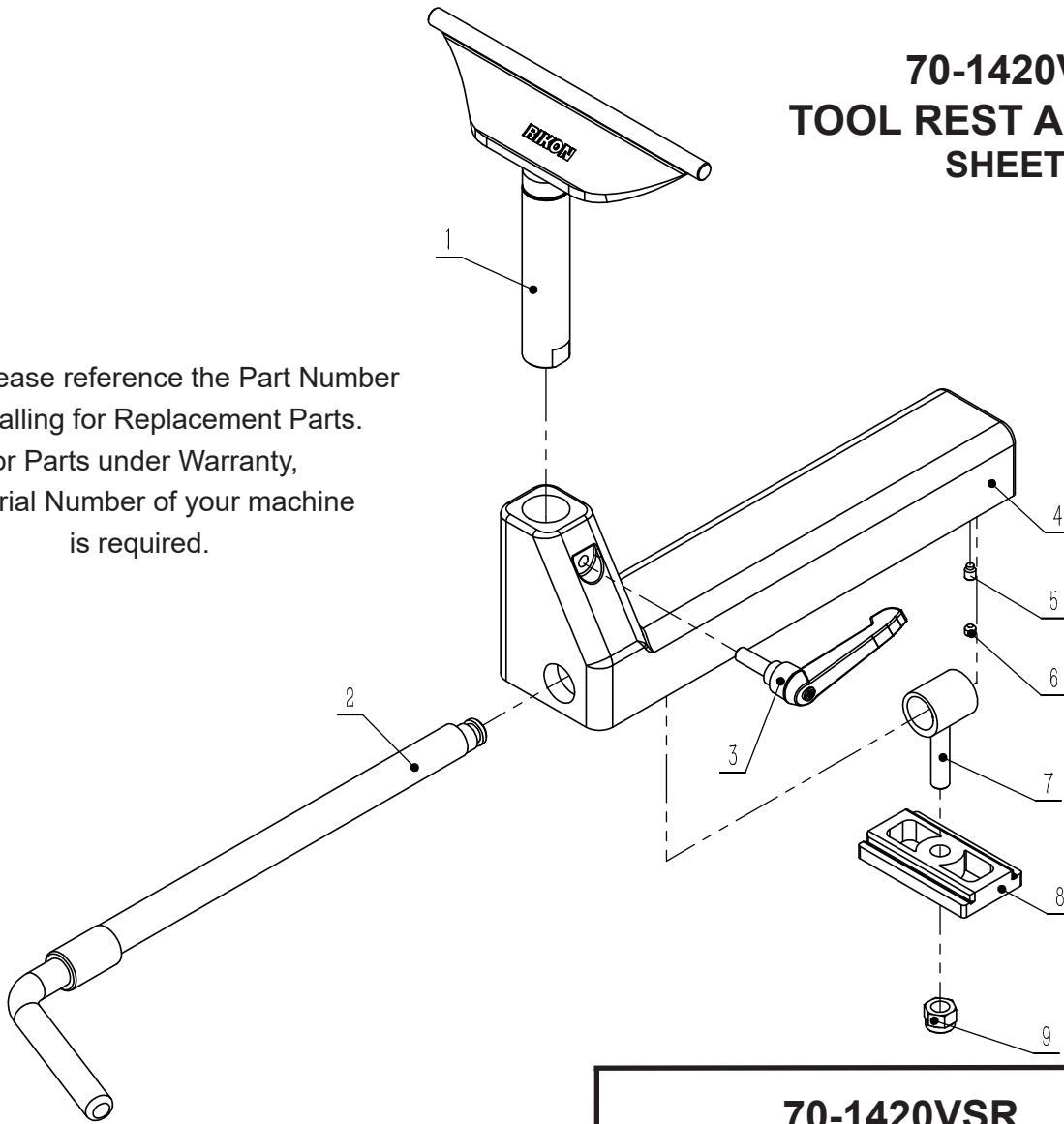


PARTS DIAGRAMS & PARTS LISTS

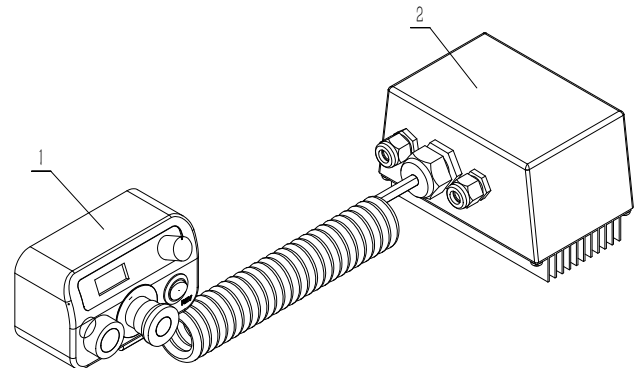
70-1420VSR TOOL REST ASSEMBLY SHEET D

NOTE: Please reference the Part Number when calling for Replacement Parts.
For Parts under Warranty, the Serial Number of your machine is required.



KEY NO.	DESCRIPTION	QTY	PART NO.
1	Tool rest (parts listed below)	-	-
	8" PRO tool rest TOP	1	70-977
	Steel compression WASHER	1	70-970
	Tool rest POST 1" dia. x 110mm	1	70-965
2	Eccentric handle	1	P70-1420VSR-2D
3	Locking handle	1	P70-1420VSR-3D
4	Tool rest base	1	P70-1420VSR-4D
5	Hex point end screw M6x8	1	P70-1420VSR-5D
6	Hex cup point screw M6x5	1	P70-1420VSR-6D
7	Threaded shaft & sleeve	1	P70-1420VSR-7D
8	Clamping plate	1	P70-1420VSR-8D
9	Hex locking nut M10	1	P70-1420VSR-9D

70-1420VSR CONTROLLER ASSEMBLY SHEET E



KEY NO.	DESCRIPTION	QTY	PART NO.
1	Control Box Assembly	1	P70-1420VSR-1E
2	Switch Box Assembly	1	P70-1420VSR-2E